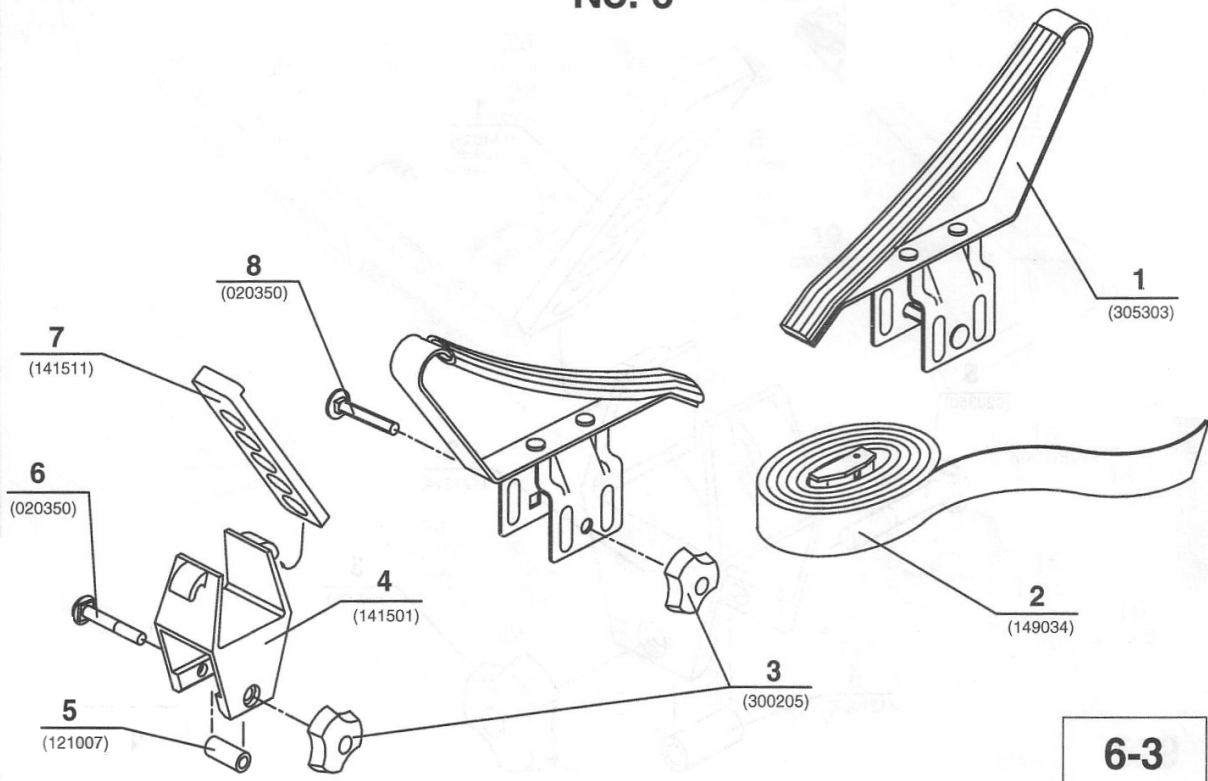


No. 6



6-3